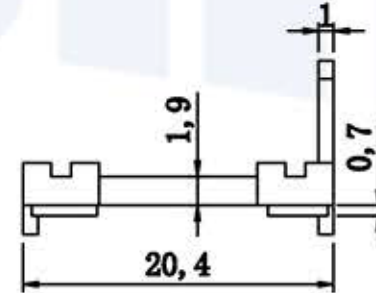
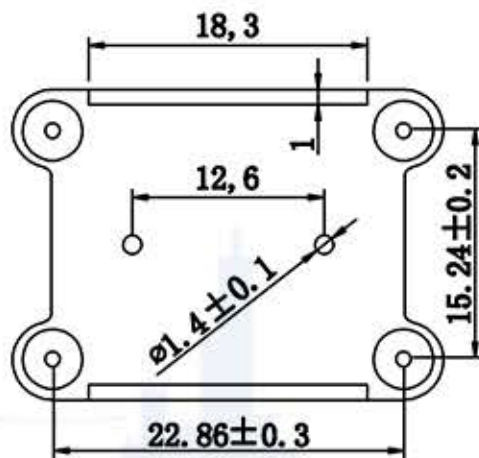
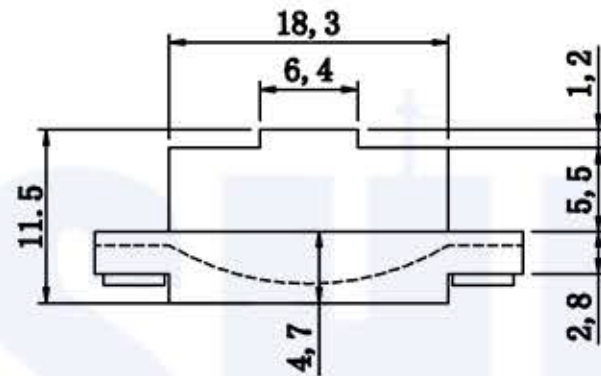
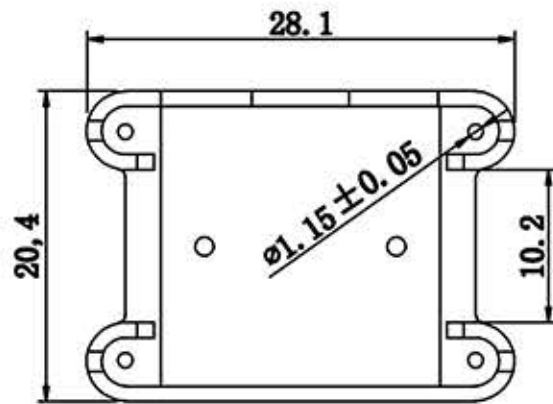
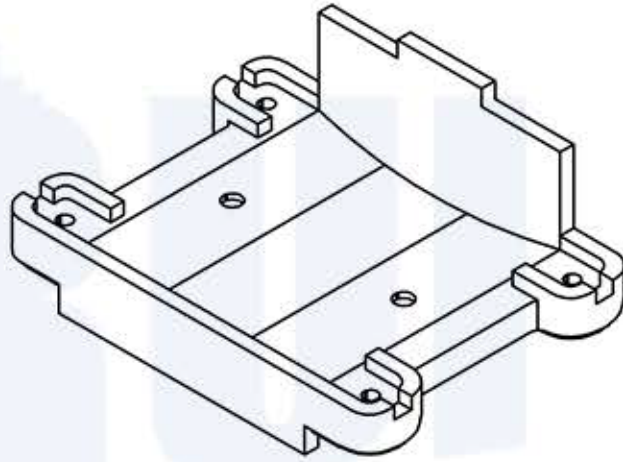




SHIRUI



SHIRUI Hefei Shirui Electronic Technology Co.,Ltd

SR NO. SR-BASE015	MATERIAL: PBT	UNIT: mm	DRN.	WILL H
	UL REC: UL 94V-0	TOLERANCE	CHD.	IRINA LEE
MODEL NAME: BASE 4PIN	ANGLE: \pm°   SCALE 1:1	0 < X < 6 ± 0.2 6 < X < 20 ± 0.3 20 < X ± 0.4 PIN PITCH ± 0.2	ISSD.	JAMES HU